


22260071	DATA SHEET	
Valid from: 29.11.2023	AB-C3-(L*)PUR-M12FA-SH	

Product description

- Sensor/actuator cable, 3-pol, PUR halogen-free, black
- Angled M12-jack on free conductor end
- Shielded



General characteristics

Number of pins	3
Ambient temperature	-25 °C to +90 °C (-13°F to 194°F) (plug / jack) -40 °C to +80 °C (-40°F to 176°F) (cable, fixed installation) -25 °C to +80 °C (-13°F to 176°F) (cable, movable installation)
Degree of protection	IP65 / IP67
Coding	A-standard
Tightening torque	0,4 Nm (M12-connector)
Plugging cycles	≥ 100

Variation

Article number	Description	Length [m]	Configuration
22260071	AB-C3-2,0PUR-M12FA-SH	2	angled
22260072	AB-C3-5,0PUR-M12FA-SH	5	angled
22260073	AB-C3-10,0PUR-M12FA-SH	10	angled

Additional note

Data sheet also valid for variant lengths. Other lengths on request.

Electrical properties

Rated voltage	40 V AC / 60 V DC
Rated current	4 A
Overvoltage category	II
Pollution degree	3

Mechanical properties

Jack

Inflammability class in accordance with UL 94	HB
Contact, material	CuSn
Contact carrier, material	TPU GF
Contact surface, material	Ni/Au
Knurl, material	Zinc diecasting, nickel-plated
Handle, material	TPU, flame retardant, self-extinguishing
Sealing, material	NBR

Line

Cable construction	3 x AWG22/42
Signal line, construction	42 x 0,1 mm
Conductor cross-section	0,34 mm ²
Conductor diameter including isolation	1,27 mm ± 0,02 mm

Creator: THLE3/PDP Released: IVSE1/PDP	Document: DB22260071EN Version: 04	Page 1 of 3
---	---------------------------------------	-------------

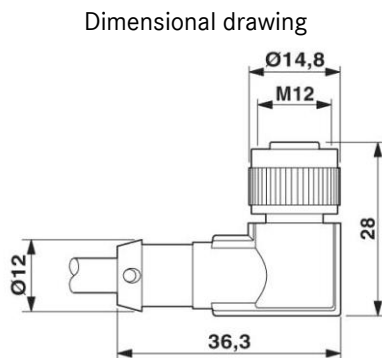
22260071	DATA SHEET	
Valid from: 29.11.2023	AB-C3-(L*)PUR-M12FA-SH	

Cable outer diameter	5,9 mm ± 0,15mm
Insulation color	brown, blue, black
Sheath color	grey-black, RAL 7021
Number of bending cycles	10.000.000
Bending radius	47 mm
Traveling distance	10 m
Traveling speed	3 m/s
Acceleration	10 m/s ²
Cable weight	31 kg/km
Outer coating, material	PUR
Wire insulation, material	PP
Insulation resistance	≥ 100 GΩ*km (at 20 °C)
Conductor resistance	≤ 58 Ω/km (at 20 °C)
Flame resistance	acc. to UL 758/1581 FT2 DIN EN 60332-2-2 (20 s)
Halogen-free	acc. to DIN VDE 0472 Part 815
Oil resistance	acc. to DIN EN 60811-2-1
Other resistances	resistant to hydrolysis and microbes good resistant to acids, lyes and solvents limited UV resistance acc. to DIN EN ISO 4892-2-A

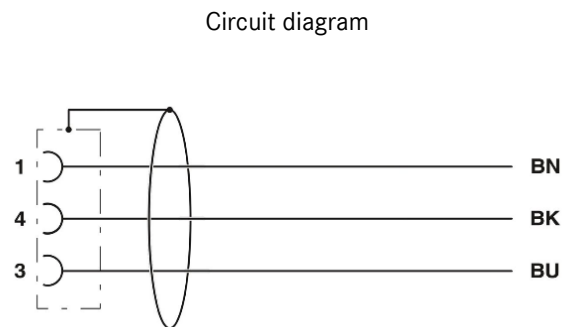
Standards/Approvals

Product standard, M12 connector	IEC 61076-2-101
UL-Listed, E-File	E249137

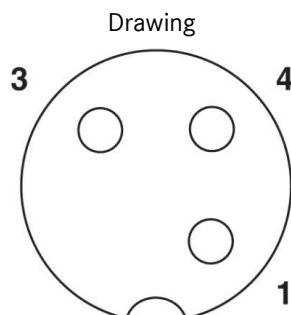
Technical drawing



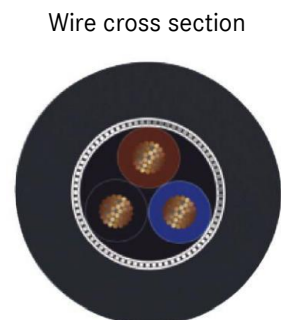
Jack M12 x 1, angled, shielded




Pin assignment from M12-jack



Pin assignment M12-jack, 3-pol, A-coding



Creator: THLE3/PDP Released: IVSE1/PDP	Document: DB22260071EN Version: 04	Page 2 of 3
---	---------------------------------------	-------------

22260071	DATA SHEET	
Valid from: 29.11.2023	AB-C3-(L*)PUR-M12FA-SH	

Application range

For increased mechanical load and rough operating conditions

Note

Photographs are not true to scale and do not represent detailed images of the respective products.

Creator: THLE3/PDP Released: IVSE1/PDP	Document: DB22260071EN Version: 04	Page 3 of 3
---	---------------------------------------	-------------